

SR-RM LCD Display Unit

SR-RM-6



Product Features

- ◆ LCD graphical main menu, for real-time monitoring of real-time data and operating status of the controller.
- ◆ Two-button design for menu viewing and parameters setting, easy to operate.
- ◆ No external power supply is required, and the LCD unit can be powered by connecting it to the controller via a communication cable.
- ◆ Embedded installation.
- ◆ Industrial grade design, allowing for use in a variety of harsh environments.

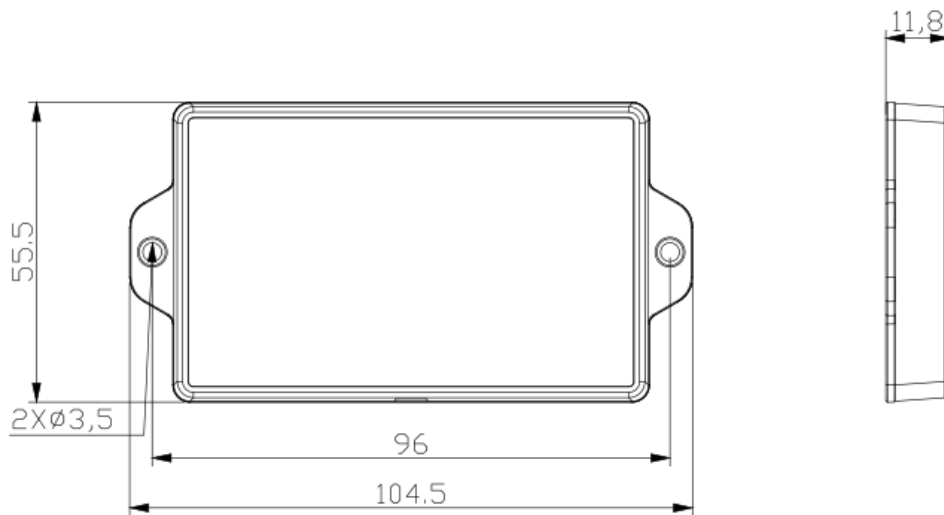
Product picture



Installation Dimensions

Product dimensions: 104.5*55.5*11.8mm

Installation dimensions: 96* \varnothing 3.5mm



Technical Parameters

Items	Parameter values
Model	RM-6
Applicable models of controller	MC2420N10/MC2430N10 MC2440N10/MC2450N10
Input voltage	5V-12V
Standby power consumption	< 0.03W
Operating power consumption	< 0.04W
Fixed baud rate	9600bps
Communication mode	TTL
Interface type	PH2.0
Connection cable length	1.5M
Operating temperature	-35°C ~ +65°C
IP rating	IP32
Weight	90g
Altitude	≤ 3000M
Dimensions	104.5*55.5*11.8mm